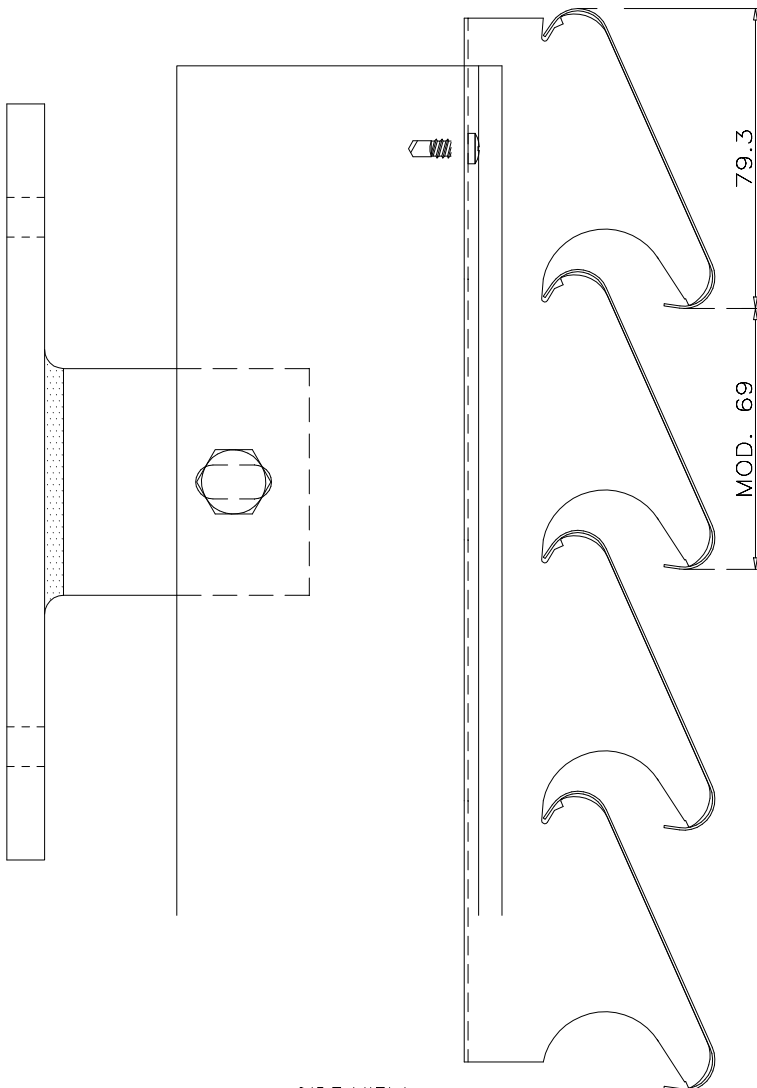
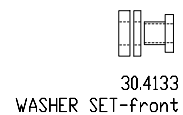
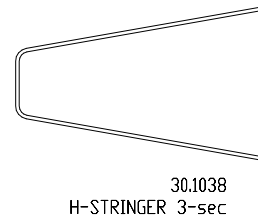
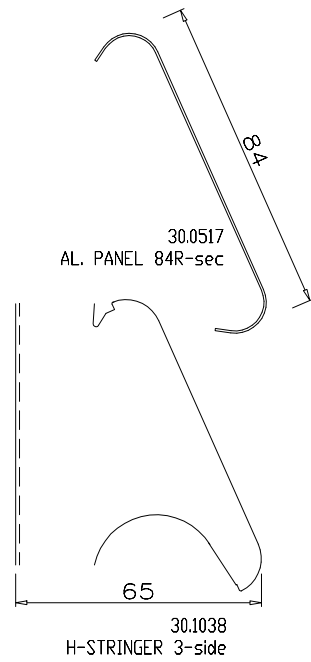
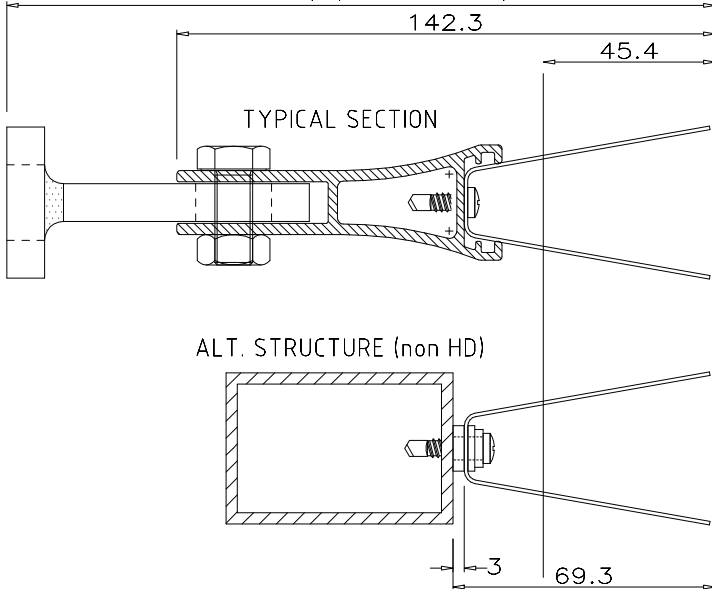


HunterDouglas
 SUN CONTROL SYSTEMS
 SUN CONTROL S-LOUVRES
 TYPE 84R SL3

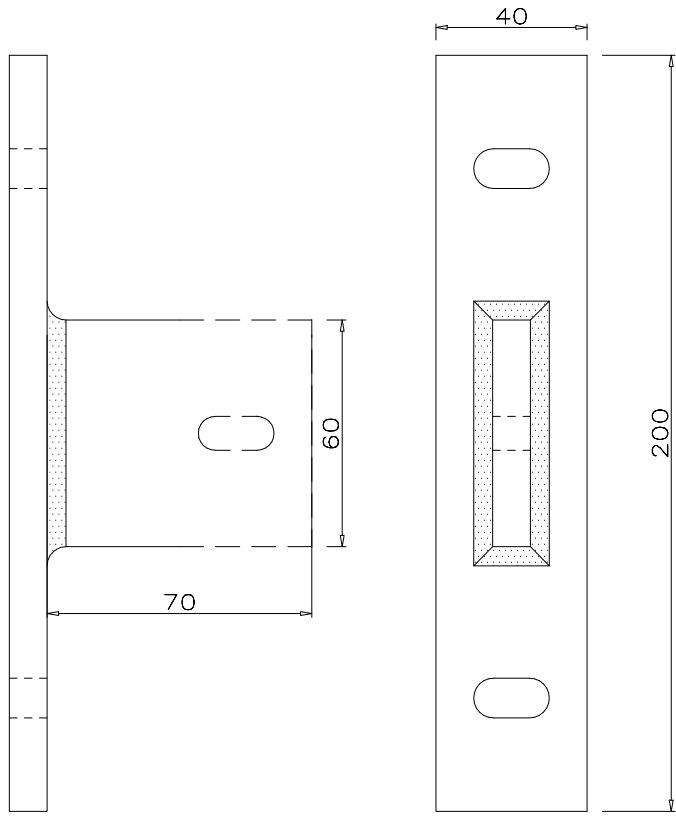


SIDE VIEW

187.3 (+/- 5,5mm.)

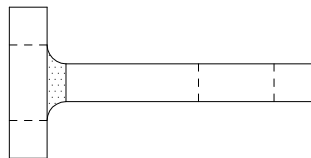


DRWG. No. SC-SL-84R-SL3-2D-01	SCALE: 1:2	REV. A	DATE: 28-10-2010	SIZE: A4
----------------------------------	---------------	-----------	---------------------	-------------

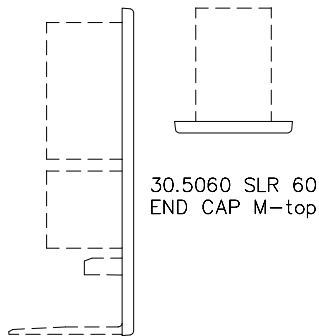


ACC. WALL BRACKET
 FOR SLR 60V-side

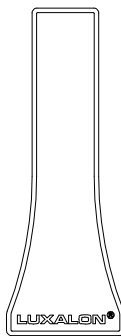
ACC. WALL BRACKET
 FOR SLR 60V&H-front



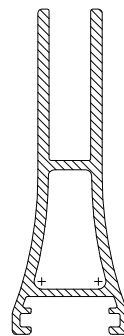
ACC. WALL BRACKET
 FOR SLR 60V-top



30.5060 SLR 60
 END CAP M-top

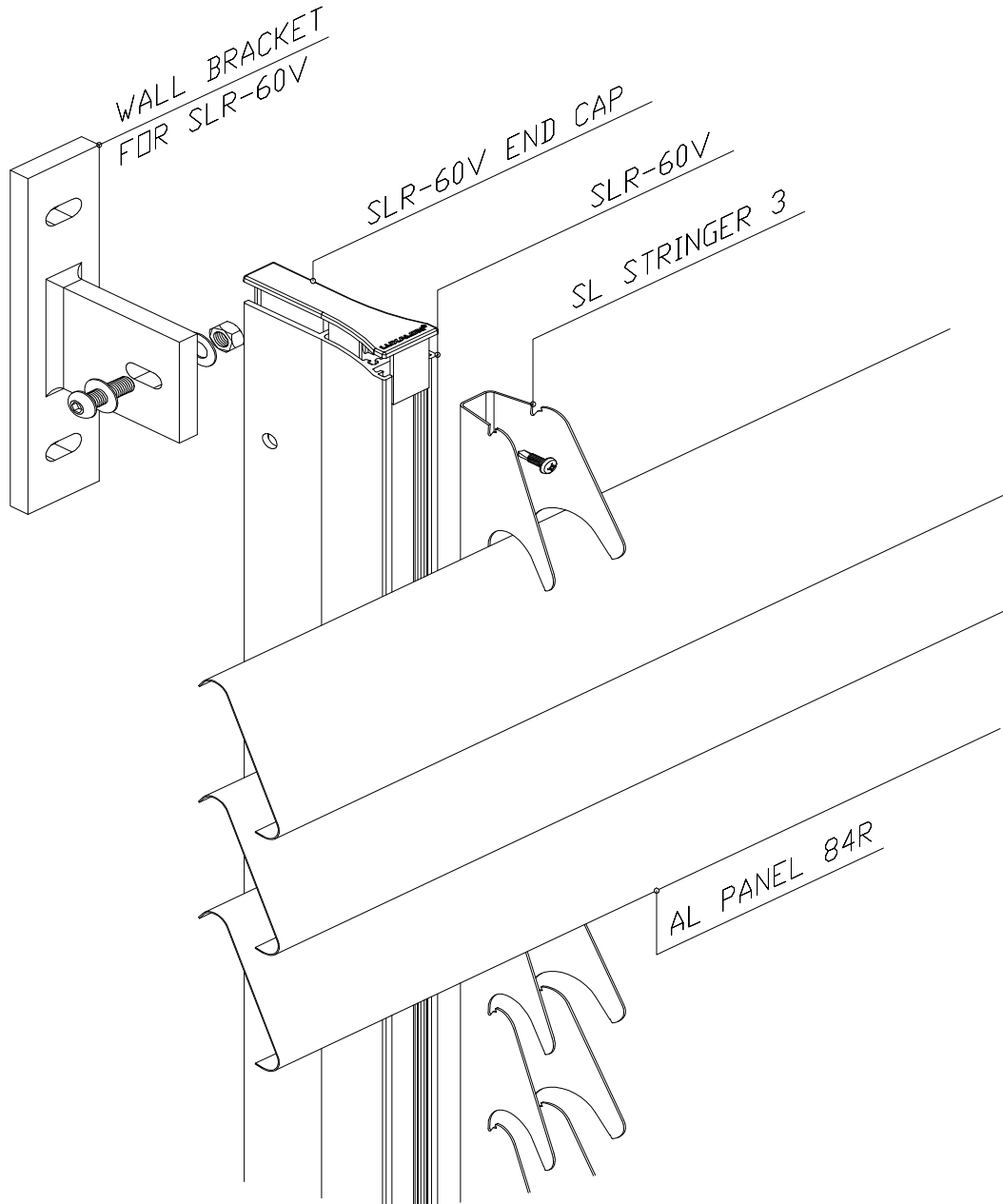


30.5060 SLR 60
 END CAP M-front



30.4604 SLR
 60V-sec

30.5060 SLR 60
 END CAP M-side



DRWG. No. SC-SL-84R-SL3-2D-03	SCALE: 1:2	REV. A	DATE: 28-10-2010	SIZE: A4
----------------------------------	---------------	-----------	---------------------	-------------