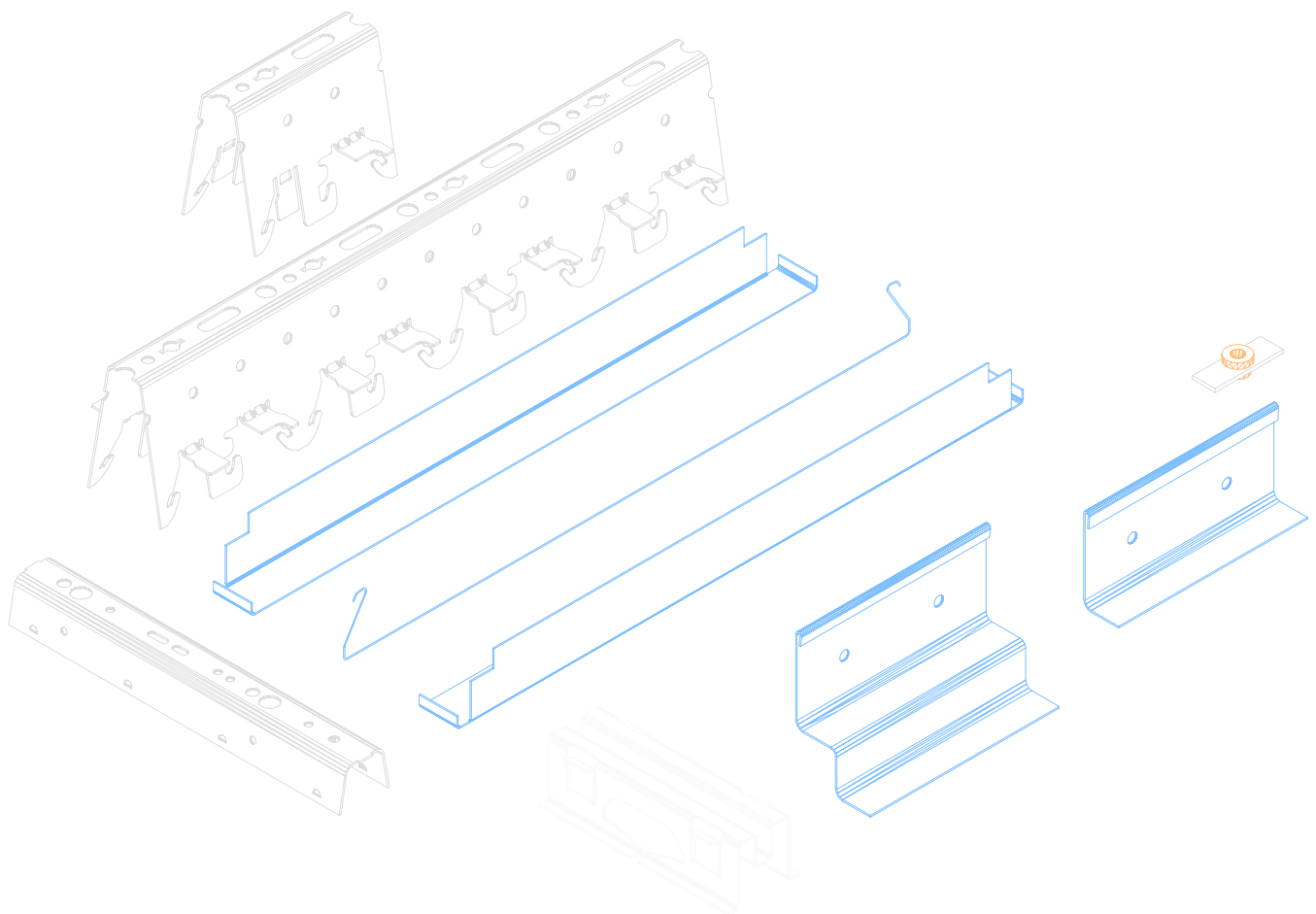
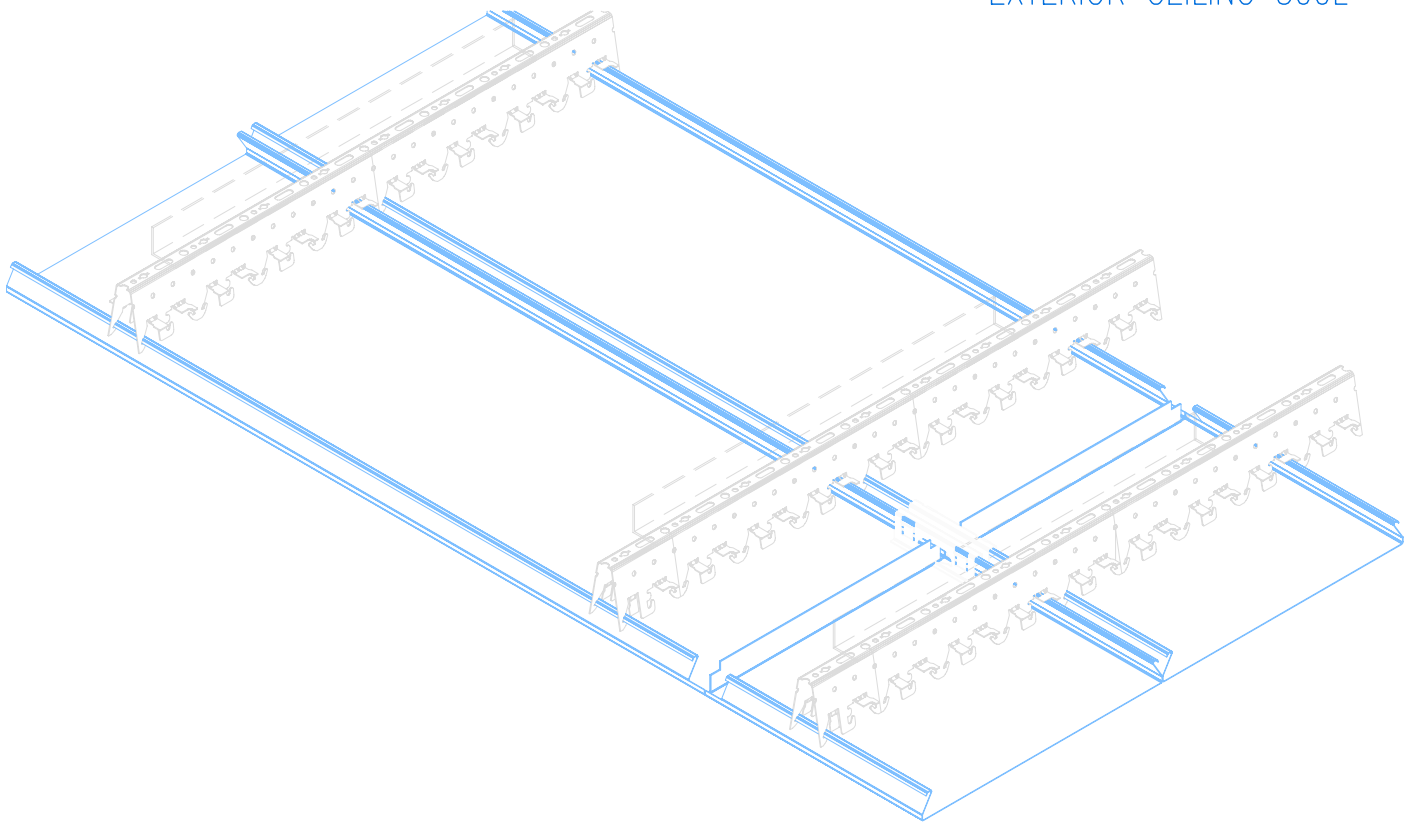


LUXALON[®]
ARCHITECTURAL PRODUCTS
EXTERIOR CEILING 300L



DRWG. No.
C-e-WP-300L-3D-01

SCALE:
N.T.S.

REV.
0.0

DATE:
15.04.04

SIZE:
A4