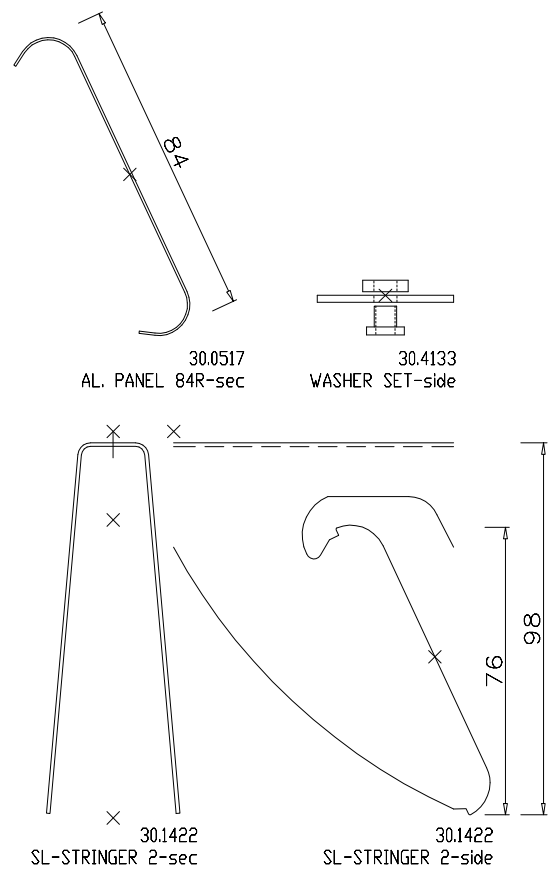
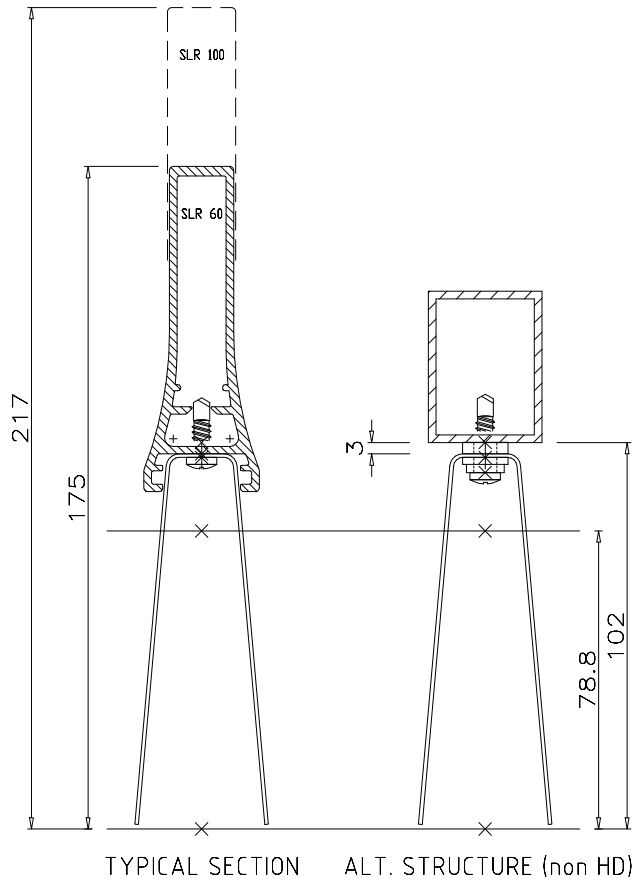
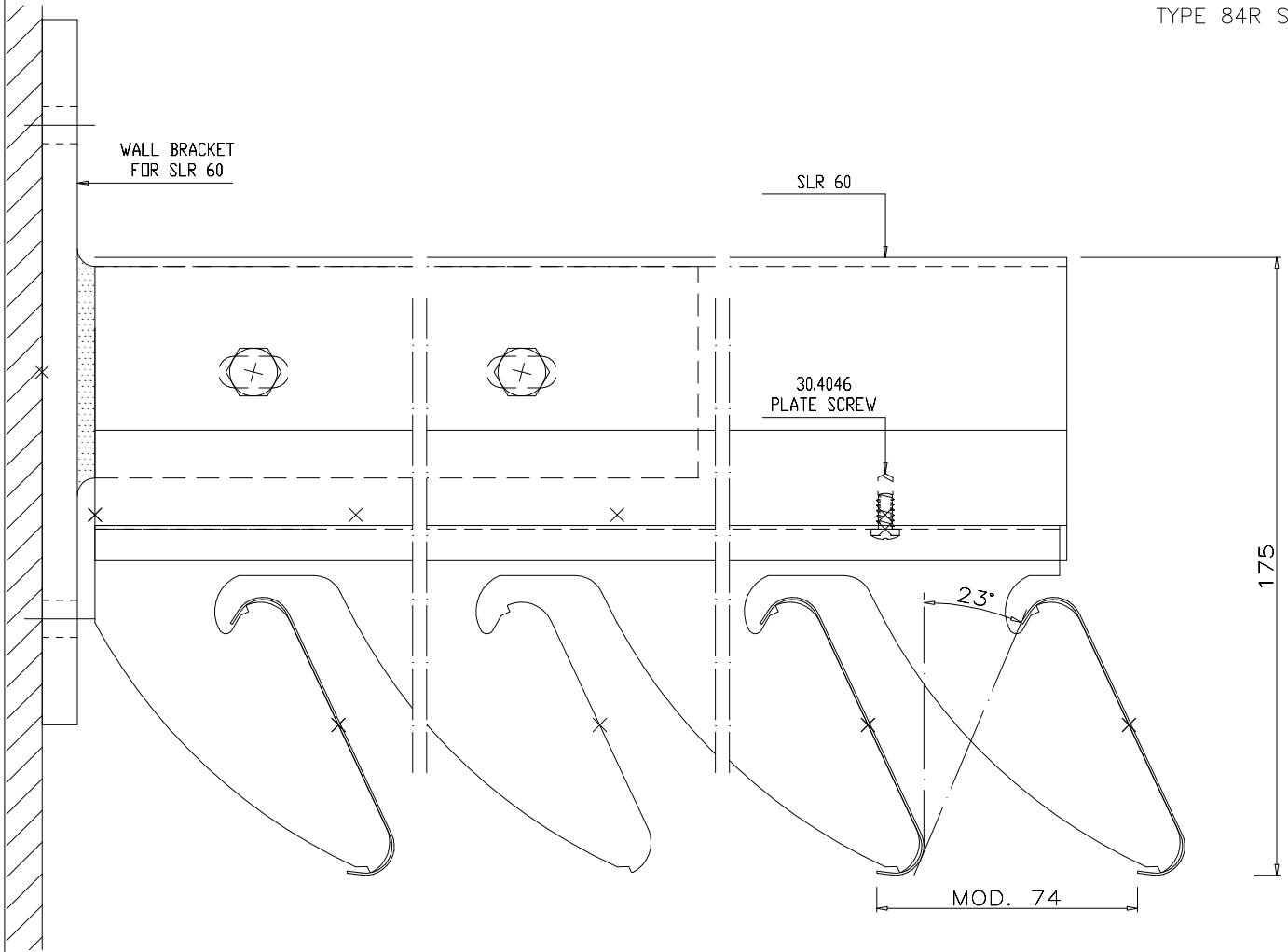
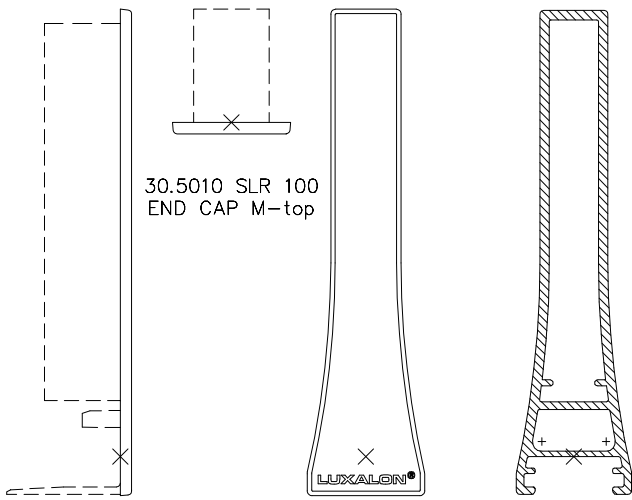


HunterDouglas
 SUN CONTROL SYSTEMS
 SUN CONTROL S-LOUVRES
 TYPE 84R SL2



DRWG. No. SC-SL-84R-SL2-2D-01	SCALE: 1:2	REV. A	DATE: 8-4-2014	SIZE: A4
----------------------------------	---------------	-----------	-------------------	-------------

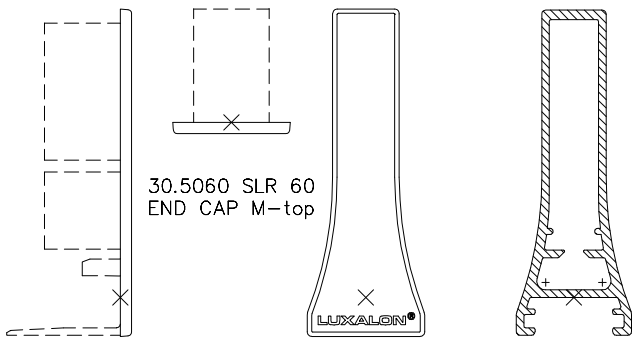


30.5010 SLR 100
 END CAP M-top

30.5010 SLR 100
 END CAP M-side

30.5010 SLR 100
 END CAP M-front

30.4605 SLR
 100-sec

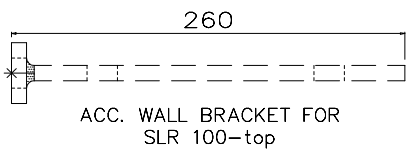


30.5060 SLR 60
 END CAP M-top

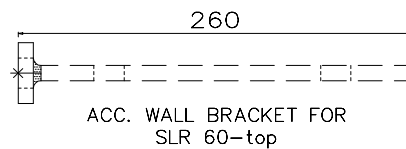
30.5060 SLR 60
 END CAP M-side

30.5060 SLR 60
 END CAP M-front

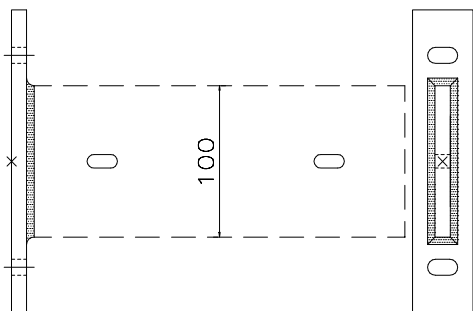
30.4603 SLR
 60-sec



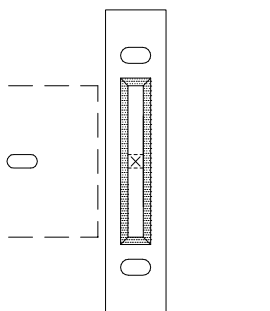
ACC. WALL BRACKET FOR
 SLR 100-top



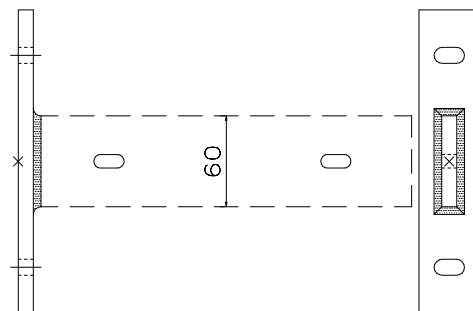
ACC. WALL BRACKET FOR
 SLR 60-top



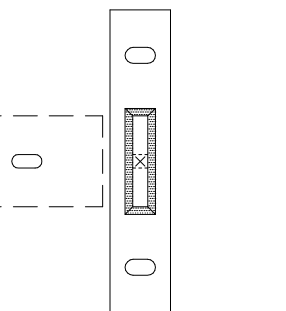
ACC. WALL BRACKET FOR
 SLR 100-side



ACC. WALL BRACKET FOR
 SLR 100-front



ACC. WALL BRACKET FOR
 SLR 60-side



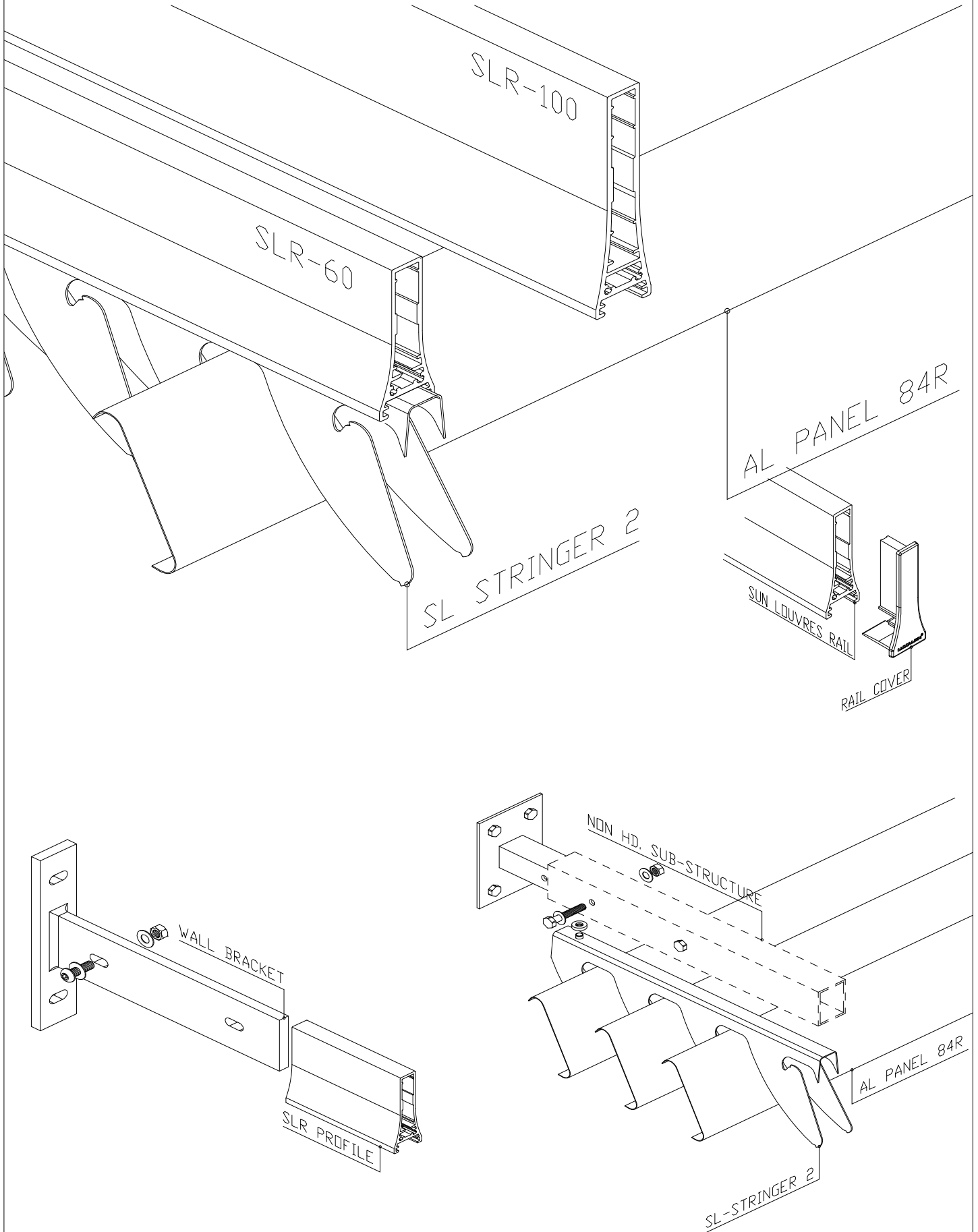
ACC. WALL BRACKET FOR
 SLR 60V&H-front

HunterDouglas

SUN CONTROL SYSTEMS

SUN CONTROL S-LOUVRES

TYPE 84R SL2



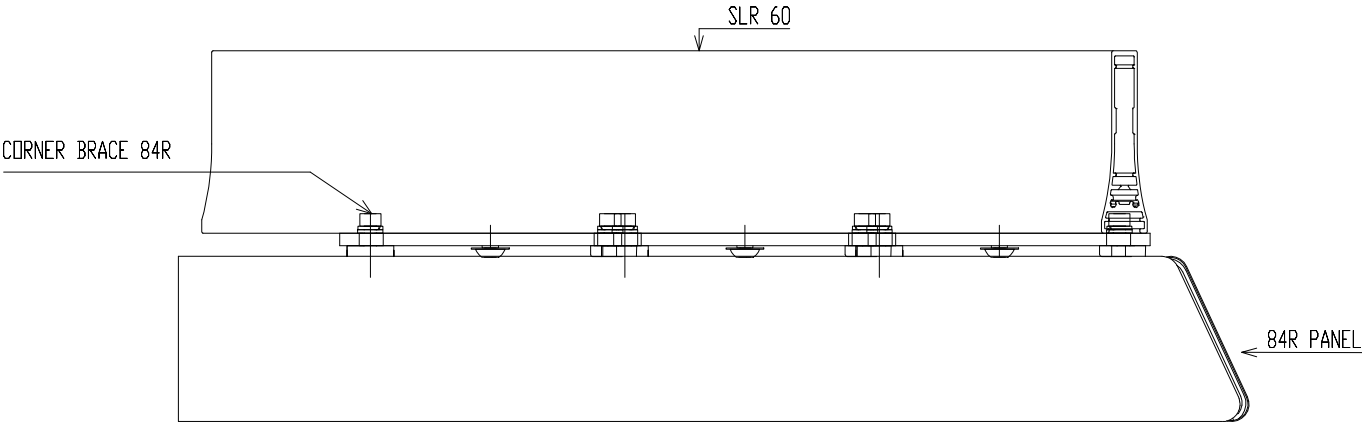
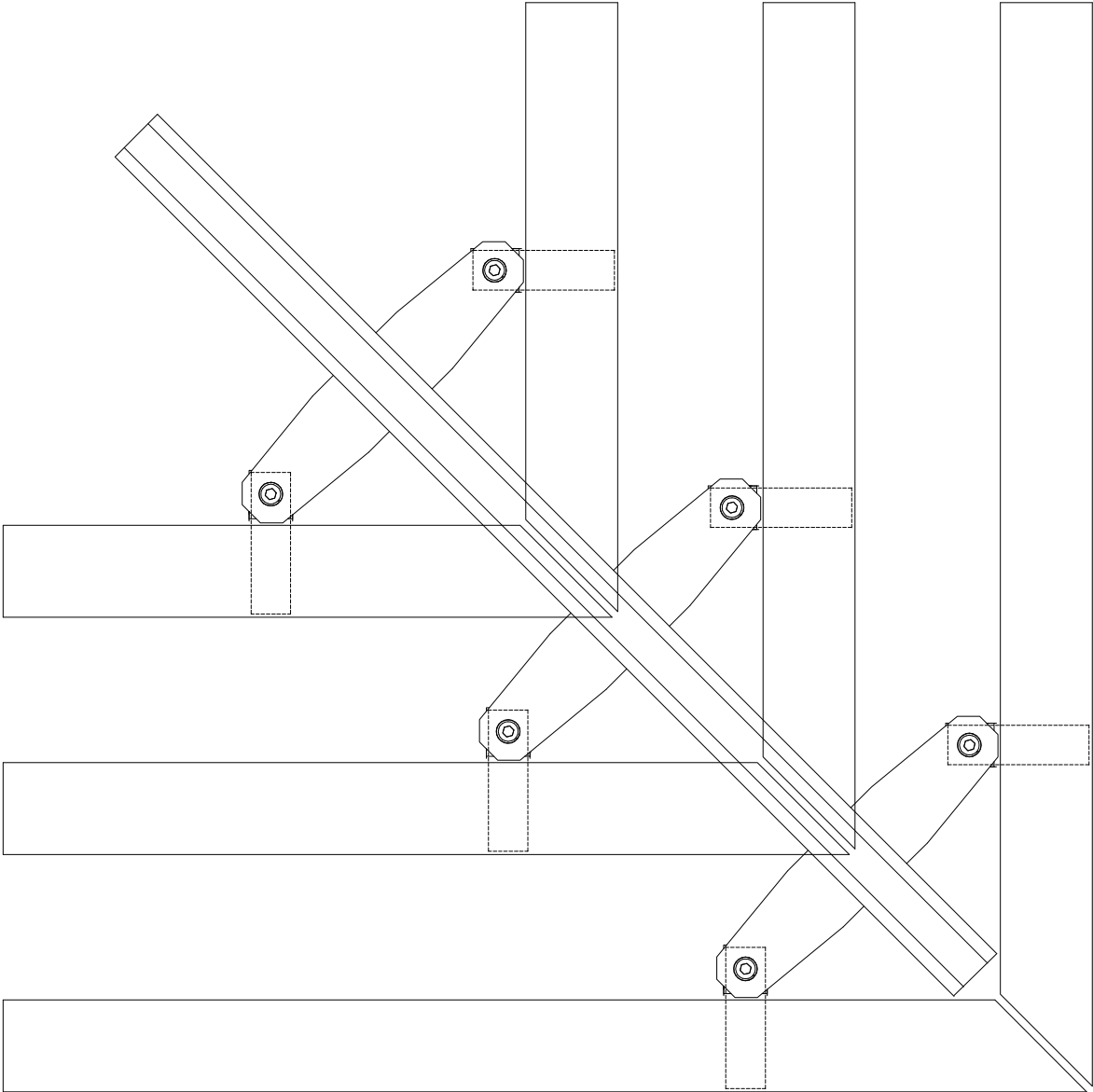
DRWG. No.
SC-SL-84R-SL2-2D-03

SCALE:
1:2

REV.
B

DATE:
8-4-2014

SIZE:
A4



DRWG. No. SC-SL-84R-SL2-2D-04	SCALE: 1:2	REV. A	DATE: 28-10-2010	SIZE: A4
----------------------------------	---------------	-----------	---------------------	-------------